

- 50 mm ball
- IP65/IP68 sealing
- stainless steel carrier

## IEC60945 MARINE IP68 50 MM TRACKBALL

The TSX50 series are waterproof and vandalproof industrial trackball units and uses the latest generation of laser trackballs. These trackballs are highly suited for harsh industrial environments thanks to their robustness and ease of maintenance. They feature a removable top ring facilitating the cleaning of ball and ball compartment for use in even the most dusty environments. The concept itself of these laser trackballs make them waterproof as well. The use of stainless steel for the various parts ensures the best resistance in salty or greasy environments. Due to its outstanding sealing, its professional style and its industrial robustness, this trackball unit is the best suited pointing device for all harsh or hostile environments, indoor and outdoor. All panel mount types are supplied with a silicone sponge seal ring for adequate sealing into the customers' panel or console. A cover plate on the rear side protects the components. Fields of applications are very wide : public access- and information kiosks, internet- and entertainment terminals, navigation controls, food industry, processing industries and many others.

### MAIN FEATURES

- Certificate of Conformity fully compliant with IEC60945
- Sealing to IP68
- 50mm ball for precise cursor movement
- Removable ball for easy cleaning
- Output: USB & PS/2 combo
- Wired USB cable providing high reliability and avoiding the need for batteries
- Smooth operation in rugged environments
- No special driver required
- Operating temperature range: -15°C to +70°C
- Storage temperature range: -25°C to +80°C

### PANEL MOUNT VERSION

- Dimensions: see page 2-3
- Weight: 0,6 kg
- Carrier material: stainless steel
- Carrier finish: Blank OR matt blackened

### DESKTOP VERSION

- See datasheet TSX50S8

### GENERAL TECHNICAL SPECIFICATIONS

#### TRACKBALL

Ball size/material	Ø50,8 mm (1.5")/Epoxy resin
Ball colour	metallic grey
Tracking force	nom. 50 grams
Lifetime	>= 2 million ball revolutions
Ball load	100N (10 kg) maximum downward pressure for 2 minutes @ 20°C
Resolvable ball speed	30 IPS (inches per second)
Tracking engine	Infra-red optical navigation technology
Removable ring	PC/ABS, black

#### SWITCHES (PUSHBUTTON OR SHORT TRAVEL)

Sealing pushbutton	IP65
Sealing short travel	IP68
Travel pushbutton	1,3 mm
Travel short travel	0,5 mm
Operating force pushbutton	4N
Operating short travel	4N
Material puchbutton	1 million
Material puchbutton	3 million

### CONNECTIVITY

These combo PS/2 & USB trackball units have a 1,6 meter long shielded straight cable ended by a USB type A plug. No special device driver is needed, use standard available drivers of your operating system. There is NO adaptor to PS/2 added. If the adapter is necessary for your project, the product can be purchased separately. The order code for the adaptor is APPD-USBPS2.

### ORDER INFO

Front panel mount with studs	IP65 pushbutton switches	IP68 short travel switches
Blank topplate	<b>TSX50F2-0001-MC3</b>	<b>TSX50F8-0001-MC3</b>
Black topplate	<b>TSX50F2-0BT1-MC3</b>	<b>TSX50F8-0BT1-MC3</b>
Front panel mount with holes	IP65 pushbutton switches	IP68 short travel switches
Blank topplate	<b>TSX50N2-0001-MC3</b>	<b>TSX50N8-0001-MC3</b>
Black topplate	<b>TSX50N2-0BT1-MC3</b>	<b>TSX50N8-0BT1-MC3</b>

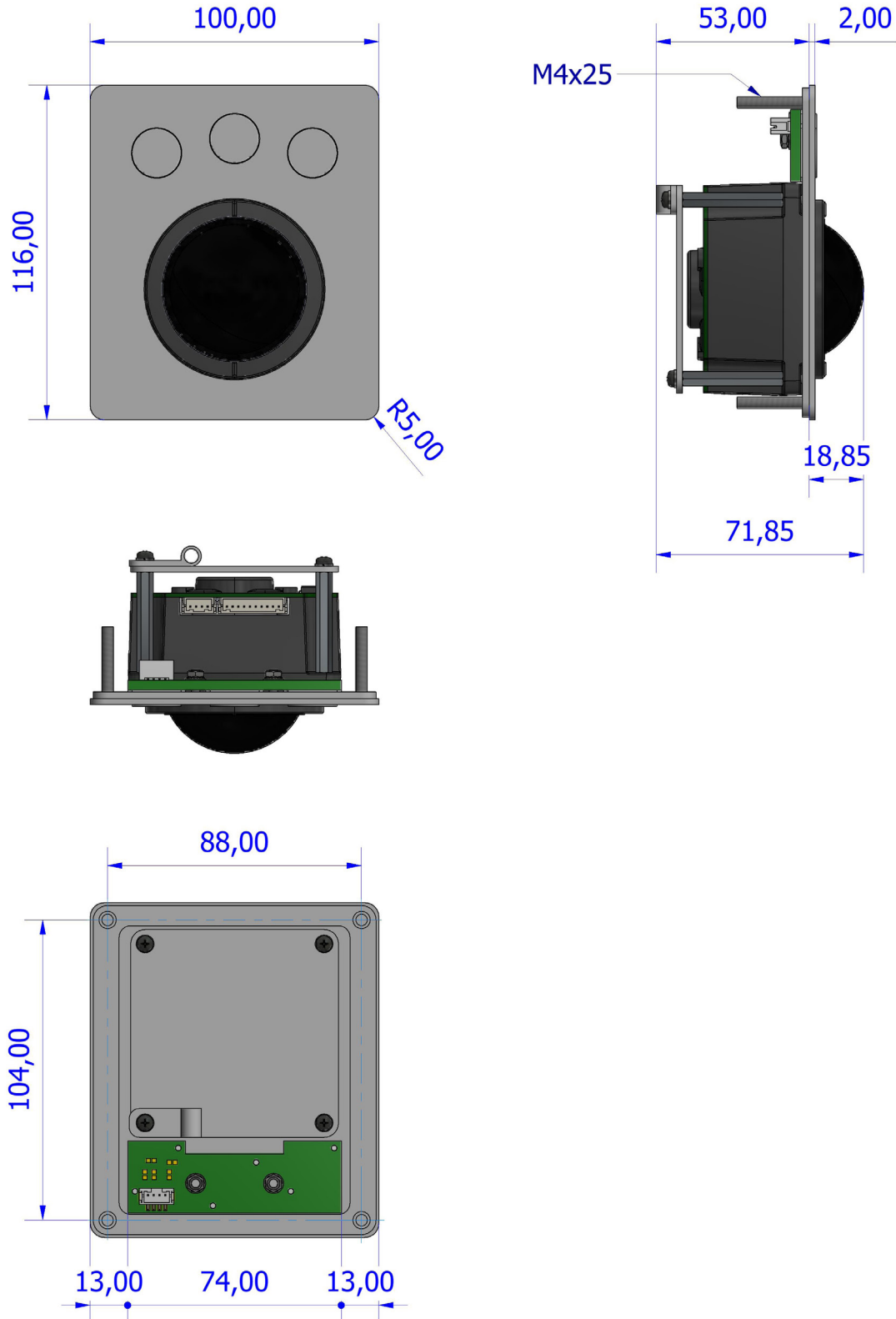


USB output  
This trackball is also available as non-certified version, see type TSX50F2, TSX50F8, TSX50N2 and TSX50N8.

The company reserves the right to alter without prior knowledge the specification or design of any standard product or service.

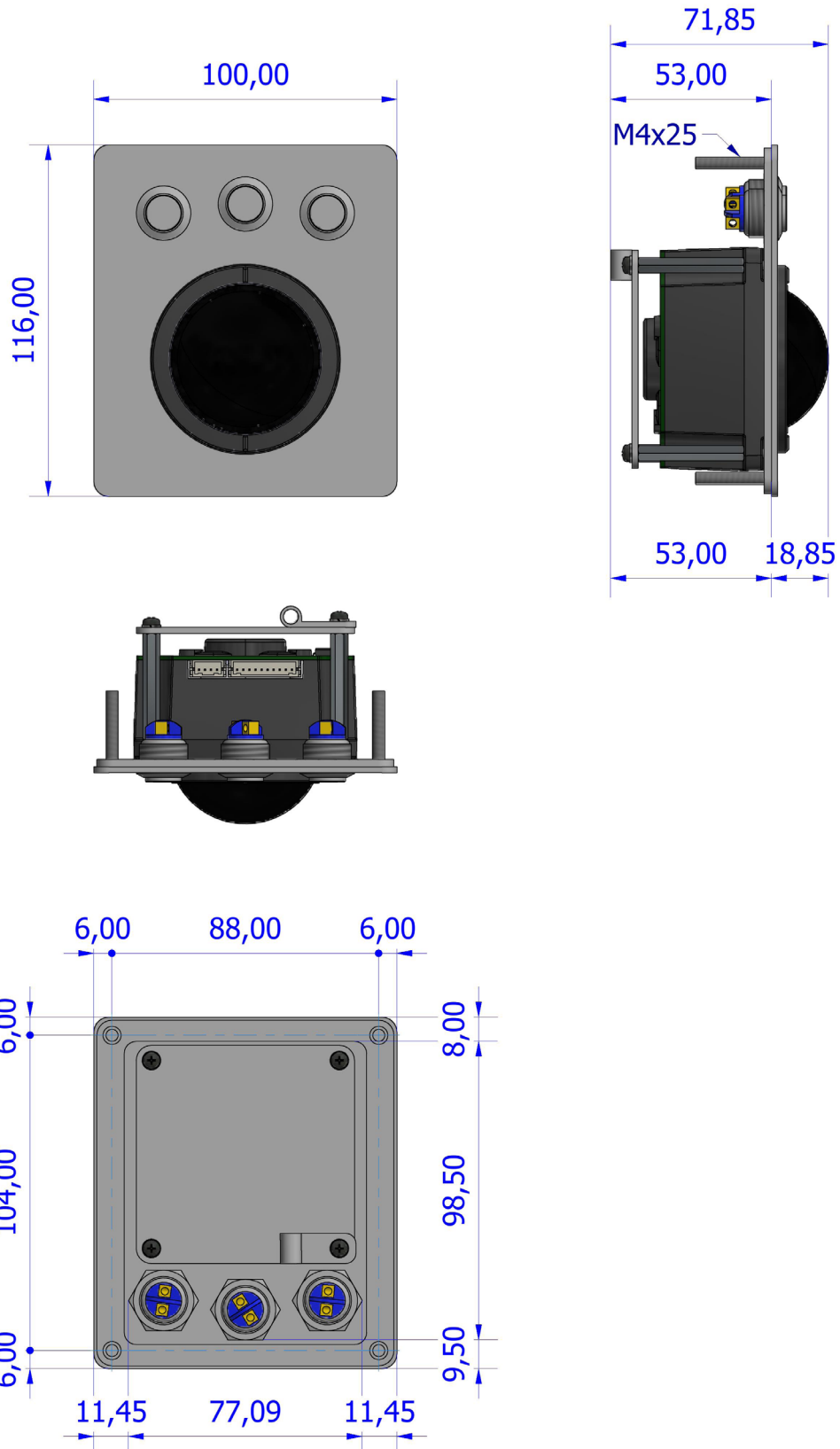
**DIMENSIONAL DRAWING**

**FRONT PANEL MOUNT WITH STUDS AND IP68 SWITCHES - TSX50F8**



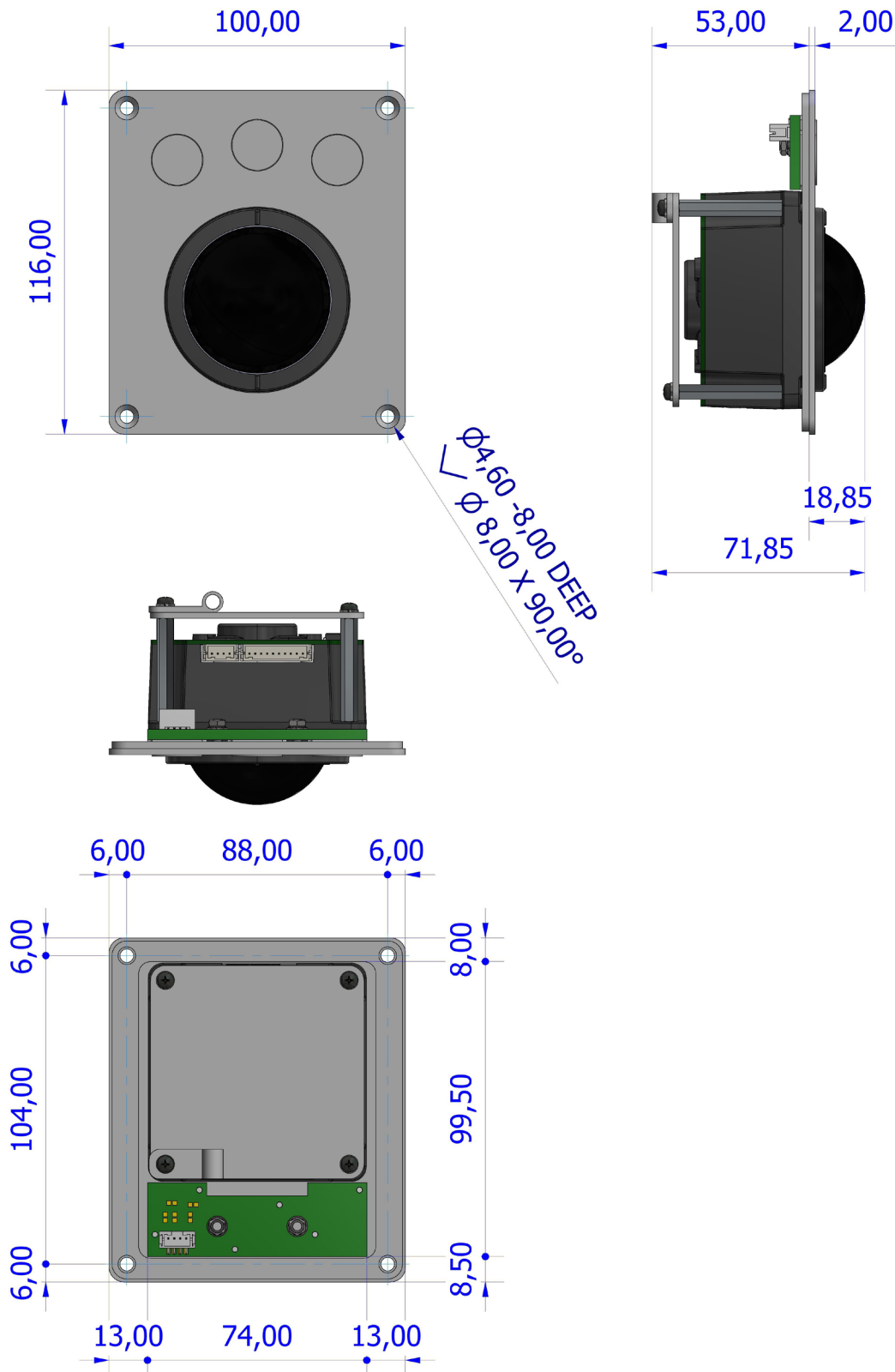
DIMENSIONAL DRAWING

FRONT PANEL MOUNT WITH STUDS AND IP65 SWITCHES - TSX50F2



DIMENSIONAL DRAWING

FRONT PANEL MOUNT WITH HOLES AND IP68 SWITCHES - TSX50N8



**DIMENSIONAL DRAWING**

**FRONT PANEL MOUNT WITH HOLES AND IP65 SWITCHES - TSX50N2**

